

1-bin Shift Sort Tray Type 2600

(Code: G554)

For Machine Code: G056/G058/G073/G074/G091
INSTALLATION GUIDE

⚠ Caution

- Before installing options, the machine should be turned off and unplugged for at least thirty minutes. Components inside the machine become very hot, and can cause a burn injury if touched.
- When lifting the machine, use the grips on both sides. The machine could break or cause an injury if dropped.
- It is dangerous to handle the plug with wet hands. Doing this may result in receiving an electric shock.
- Before moving the machine, unplug the power cord from the outlet. If the cord is unplugged abruptly, it could become damaged. Damaged plugs or cords can cause an electrical or fire hazard.

🔧 Important

- If you attach the 1-bin Shift Sort Tray and the Paper Feed Unit, the Paper Feed Unit must be attached prior to attaching the 1-bin Shift Sort Tray.
- The 1-bin Shift Sort Tray and the Mailbox cannot be attached to the printer at the same time.
- Check the printer nameplate to confirm the model code.

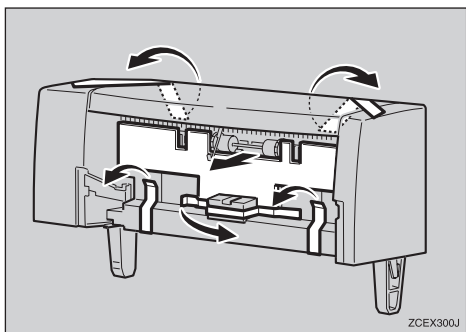
1 Check the contents of the box for the following items:

Description	Qty
1-bin Shift Sort Tray	1
Upper Tray	1
Installation Guide (This sheet)	1

2 Confirm that the followings are true:

- The power switch is turned off.
- The interface cable is unplugged from the printer.

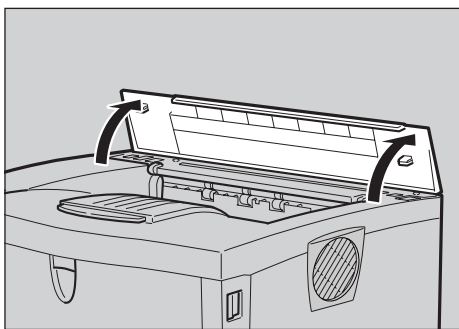
3 Remove the adhesive tapes and the packing material.



4 Remove the upper cover of the printer.

📌 Note

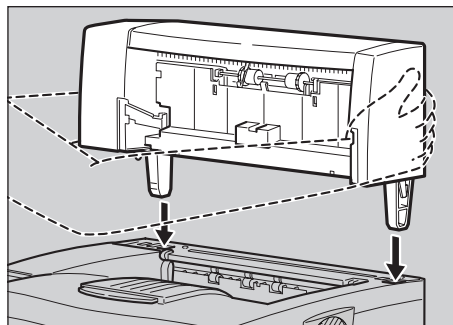
- The upper cover that is removed, is not used when installing the 1-bin Shift Sort Tray.



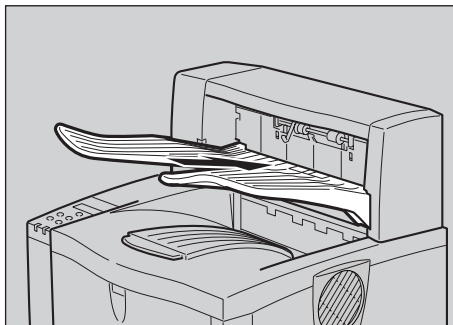
5 Holding the 1-bin Shift Sort Tray on both sides, align the catches with the holes on the printer and insert.

⚠ Caution

- When lifting the 1-bin Shift Sort Tray, hold it on both sides. Holding underneath the 1-bin Shift Sort Tray may cause injury to the hands if caught between the 1-bin Shift Sort Tray and the printer.



6 Slide the upper tray into the 1-bin Shift Sort Tray.



7 Attach the interface cable to the printer.

8 Plug the printer's power cord back into the wall outlet and turn on the power switch.